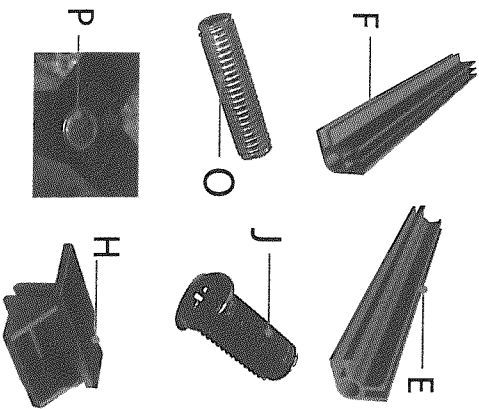
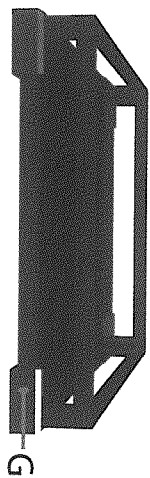


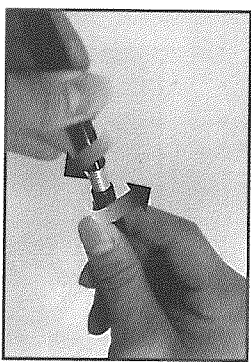
- A. Top Mesh (x1)
- B. Top Frame (x1)
- C. Corner Pole (x8)
- D. Mesh Side Panel (x2)
- E. Rear Support Bar (x2)
- F. Front Support Bar (x2)
- G. Terrarium Base (x1)
- H. Insect Prevention Clip (x4)
- I. Terrarium Lock (x1)
- J. Corner Pole Screw (x4)
- K. Rear Mesh Panel (x2)
- L. Glass Door (x2)
- M. Cable Access Port (x1)
- N. Rear Mesh Support Bar (x1)
- O. Connecting Screw (x4)
- P. Screw Cover (x4)



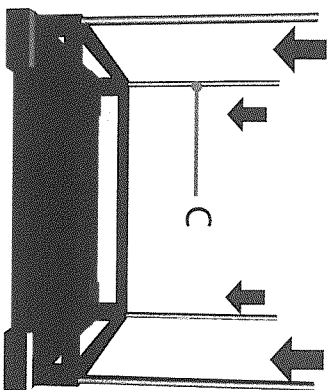
1.



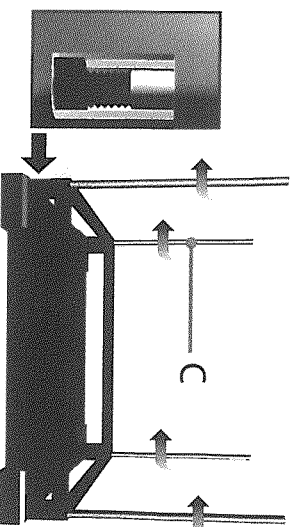
2. Connect two Corner Poles (C) with connecting screws (O), to make four complete sets of Corner Poles.



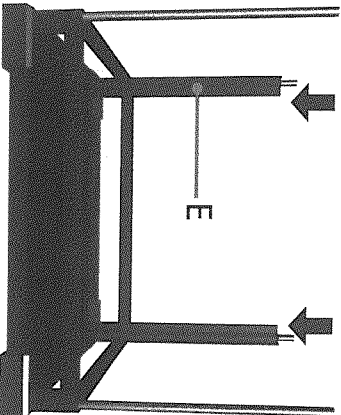
3.



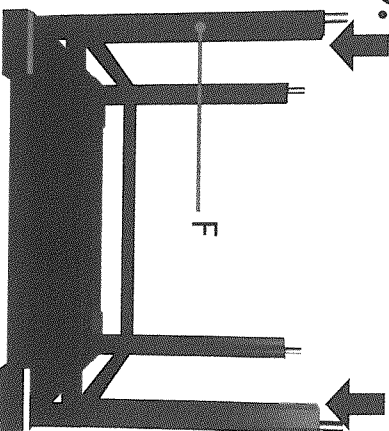
4. If having difficulty screwing Corner Poles (C) into locating holes, it is important not to force them, please remove and try again to avoid cross-threading.



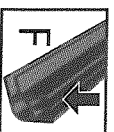
5.



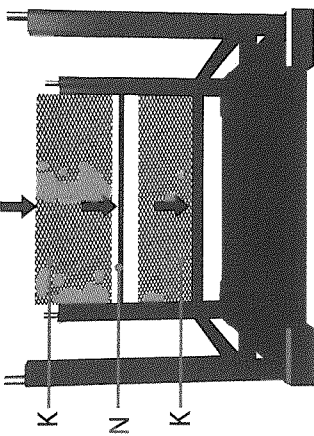
6.



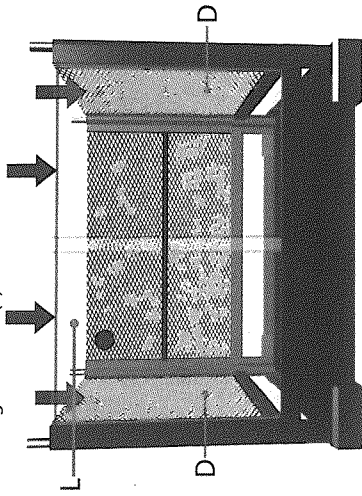
The double rungs need to be positioned on the front supports (F) at the front for the glass doors to locate into.



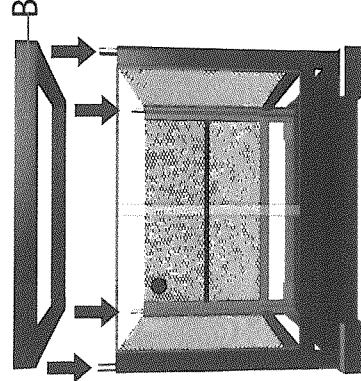
7 Insert first Rear Mesh Panel mesh (K), secondly install Rear Mesh Support Bar (N), then insert another back mesh (K).



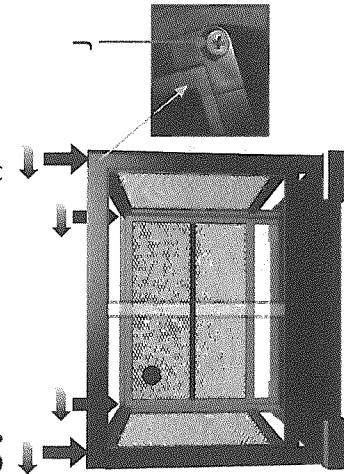
8. Insert Mesh side panels (D) and then insert x2 glass doors (L).



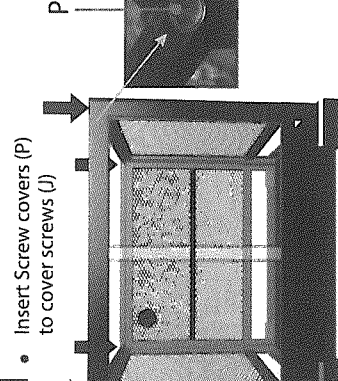
9.



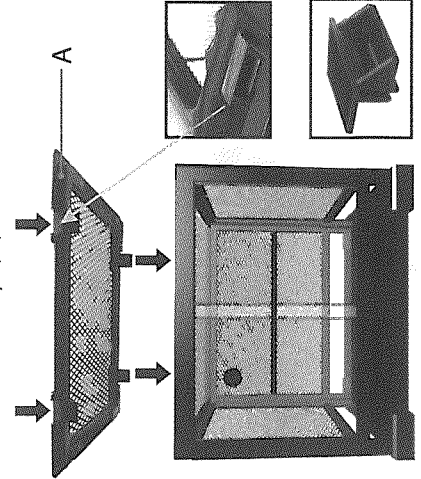
10. Insert Corner Pole Screws (J)



11.



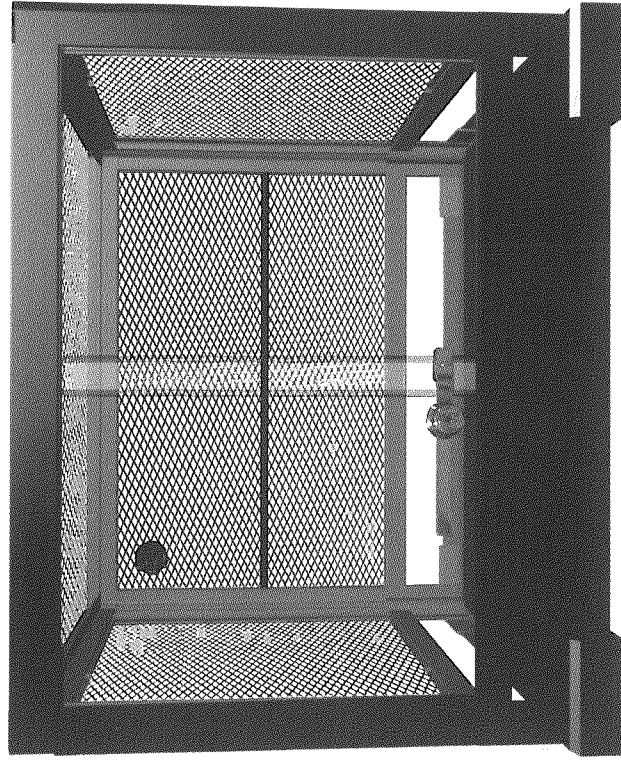
12. Place the Top Mesh (A) into the Top Frame (B) Close the remaining 4 openings with the Insect Prevention Clips (x4)



Komodo®

TERRARIUMS

Easy to Assemble Mesh Terrarium
with Glass sliding Doors



Distributed by:
Happy Pet Products Ltd
Unit 1, Flatten Way
Leicester, LE7 1GU

www.komodoproducts.com

www.komodoproducts.com